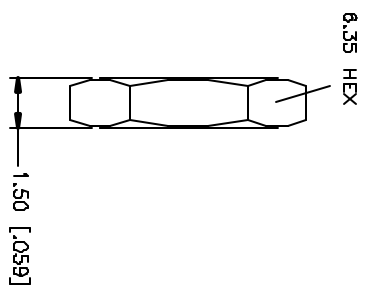
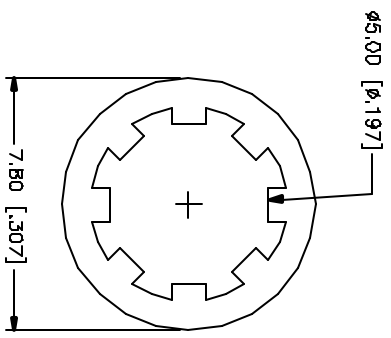
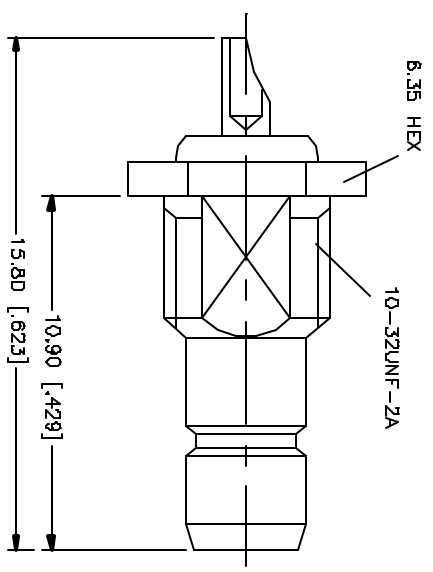
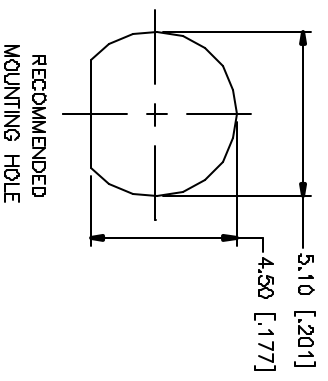


REV.	DATE	DESCRIPTION
NC	05/01/04	INITIAL RELEASE



REV.	DATE	DESCRIPTION
B		
7		
6		
5		
4		
3		
2		
1		

DESCRIPTION	MATERIAL	FINISH	QTY
HEX NUT	BRASS	NICKEL	1
LOCK WASHER	BRASS	NICKEL	1
CONTACT PIN	BRASS	GOLD	1
INSULATOR	TEFLON	NATURAL	1
BODY	BRASS	NICKEL	1

APPROVALS	DATE
DRAWN G.R.S.	05/01/04
CHECKED	
ISSUED	
DRAWN	

QAD FILE	DWG. NO.	REV.	NC	SIZE	SCALE
C:/142/142152.DWG	142152.DWG			A	NA

PART DESCRIPTION	PART NO.
SMB BULKHEAD RECEPT. JACK	142152

Amphenol Connex

UNLESS OTHERWISE SPECIFIED DIMENSIONS ARE IN MILLIMETERS. DIMENSIONS IN INCHES ARE NOTED AND FOR CUSTOMER REFERENCE ONLY.

UNLESS OTHERWISE SPECIFIED DIMENSIONS FOR MANUFACTURED ARE:

D₅ - 8mm ± 0.20mm
 B - 7.6mm ± 0.20mm
 3D - 12.0mm ± 0.50mm

UNLESS OTHERWISE SPECIFIED TOLERANCES FOR Holes ARE:

∅2D - .315 ± 0.007"
 .315 - 1.180 ± 0.015"
 1.180 - 4.724 ± 0.020"